



DIN 970 Hex Nut

Leader-Fastener is a manufacturer and distributor of **DIN 970 Hex Nut**. We have a complete line of service from having invested in production plants, export department and to having a quality control team and center to meet your requirements. We regard quality as the life of the company. We persist in good quality as the first policy and have established a set of quality control and inspection system according to the international standard. We have carried out ISO9001 Quality Guarantee System in every course of production, transportation and selling. We do hope we could be your partner in business by topping quality,

knight service and competitive price in the near future and be your friends as well.

Hex Nuts are the most common nuts on the market. Metric hex nuts made to ISO 4032 and DIN 970 have the same tolerance range on the width across flats (wrench size) and thickness. For metric nuts, the two most common dimensional standard referenced are per ISO 4032/DIN 970 or DIN 934. These two standards will have different tolerances on the thickness and the width across the flats (especially for the M10, M12 and M14 sizes). Functionally these nuts are interchangeable when the same property class is used. Leader Fastener offers hex nuts made to ISO 4032/DIN 970 in metric Classes 8 and 10.

Metric Finished Hex Nut – Class 8

Will fasten any need

For use with property class 8.8 fasteners

Sizes range from M5 to M36

Meets ISO 4032 and DIN 970 specifications

Metric Finished Hex Nut – Class 10

Will fasten any need

For use with property class 10.9 fasteners

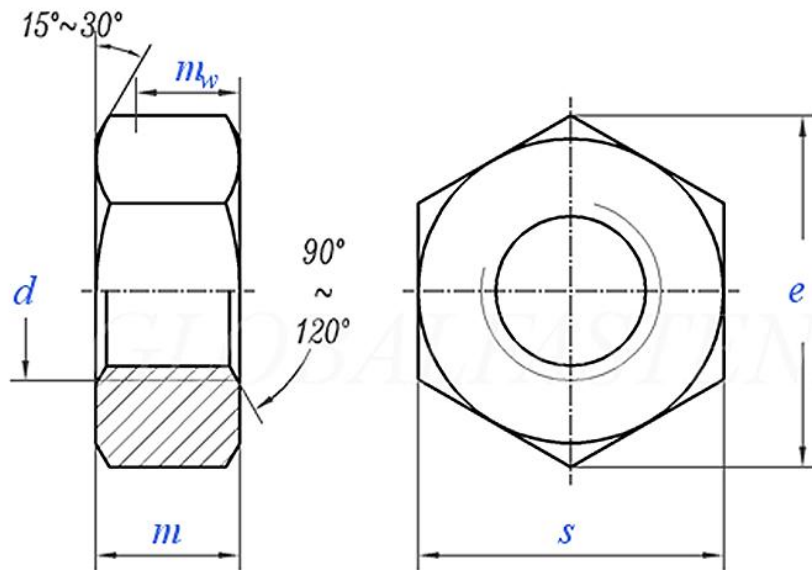
Sizes range from M6 to M36

Meets ISO 4032 and DIN 970 specifications

Product Specification of DIN 970 Hex Nut

Material : Carbon steel, Stainless steel, Alloy Steel, Brass.

Finishment: Black, Zinc Plated, Zinc Yellow, HDG, Phosphate, DACROMET, Geomet, Magin, Ruspert, Teflon, etc.

DIN 970 - 1982 Hexagon nuts—Style1,metric coarse thread,product grades A and B,ISO 4032
modified


Thread Size		M1.6	M2	M2.5	M3	(M3.5)	M4	M5	M6	M7	M8	M10	M12
D													
P		0.35	0.4	0.45	0.5	0.6	0.7	0.8	1	1	1.25	1.5	1.75
m	max	1.3	1.6	2	2.4	2.8	3.2	4.7	5.2	6.5	6.8	8.4	10.8
	min	1.05	1.35	1.75	2.15	2.55	2.9	4.4	4.9	6.2	6.44	8.04	10.37
s	max	3.2	4	5	5.5	6	7	8	10	11	13	16	18
	min	3.02	3.82	4.82	5.32	5.82	6.78	7.78	9.78	10.73	12.73	15.73	17.73
e	min	3.41	4.32	5.45	6.01	6.58	7.66	8.79	11.05	12.12	14.38	17.77	20.03
m _w	min	0.84	1.08	1.4	1.72	2.04	2.32	3.52	3.92	4.96	5.15	6.43	8.3
per 1000 units≈kg		0.08	0.14	0.28	0.38	0.51	0.81	1.45	2.6	4.4	5.4	10.6	16.3

Thread Size		(M14)	M16	M18	M20	M22	M24	M27	M30	M33	M36	M39
D												
P		2	2	2.5	2.5	2.5	3	3	3.5	3.5	4	4
m	max	12.8	14.8	15.8	18	19.4	21.5	23.8	25.6	28.7	31	32
	min	12.1	14.1	15.1	16.9	18.1	20.2	22.5	24.3	27.4	29.4	30.4
s	max	21	24	27	30	34	36	41	46	50	55	60
	min	20.67	23.67	26.16	29.16	33	35	40	45	49	53.8	58.8
e	min	23.35	26.75	29.56	32.95	37.29	39.55	45.2	50.85	55.37	60.79	66.44
m _w	min	9.68	11.28	12.08	13.52	14.48	16.16	18	19.44	21.92	23.52	24.32



Zhejiang Leader Fastener Co.,Ltd.

www.leader-fasteners.com

per 1000 units≈kg	26.4	38	52	73	104	125	178	238	320	420	520
-------------------	------	----	----	----	-----	-----	-----	-----	-----	-----	-----