



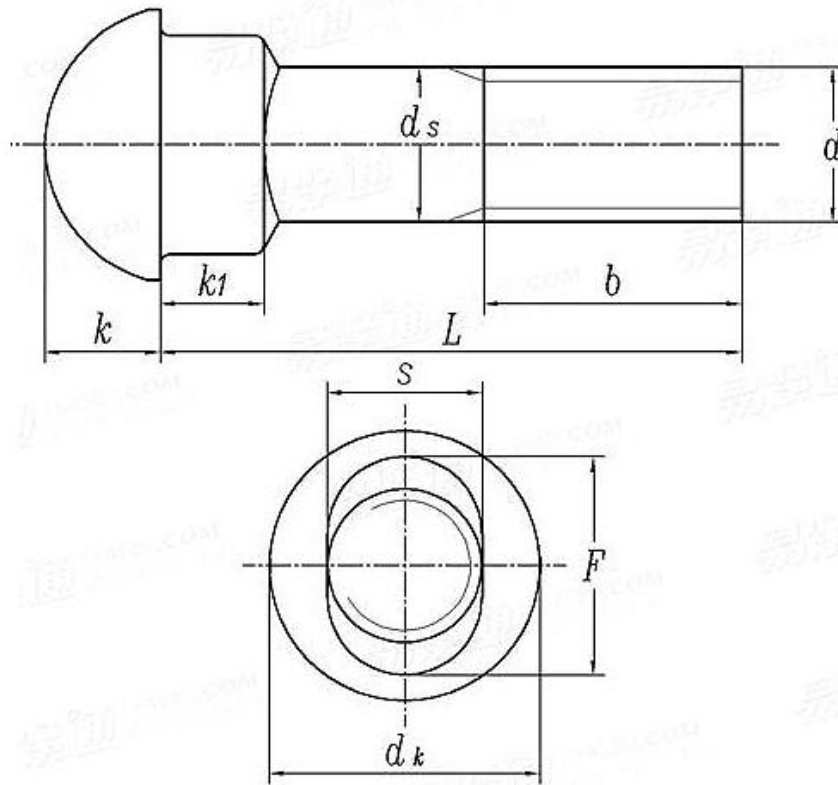
DIN 5903 Round Bolt

Leader-Fastener is a manufacturer and distributor of **DIN 5903 Round Bolt**. We have a complete line of service from having invested in production plants, export department and to having a quality control team and center to meet your requirements. We regard quality as the life of the company. We persist in good quality as the first policy and have established a set of quality control and inspection system according to the international standard. We have carried out ISO9001 Quality Guarantee System in every course of production, transportation and selling. We do hope we could be your partner in business by topping quality, knight service and competitive price in the near future

and be your friends as well.

DIN 5903-1 - 1997 Fish Bolts - Part 1: with Round Head and Oval Neck

There are no limitations for different standards, types and modifications of Bolts as per particular applications. DIN Bolts are available in a wide range of German Standards. DIN Bolts are often made of steel alloy or stainless steel because of strong metal and for used in any type of environment. In addition, DIN Bolts are available with different types of coating or plating to enhance the corrosion resistance and appearance. Metric Hex Head Bolts have a hex head and coarse or fine machine screw threads. Select from partially threaded or fully threaded. All short lengths are fully threaded; for partially threaded the minimum thread length is longer for larger bolt sizes. JIS B1180 and three sizes of ISO 4014 and ISO 4017 have heads that are smaller than their DIN counterparts. Steel, from Class 8.8 to 12.9, and stainless steel are available as are plain and zinc plated finishes. To differentiate between partial and full threads, we classify Hex Head Bolts as partially threaded and Hex Head Cap Screws as fully threaded. Hex Head Bolts are also called Machine Bolts.

DIN 5903-1 - 2011 Fish Bolts - Part 1: with Round Head and Oval Neck


Thread Size		M10	M12	M16	M20	M22
d						
P	Pitch	1.5	1.75	2	2.5	2.5
b	min=nominal size	19	21	27	29	34
	max	22	24.5	31	34	39
F	max	14	18	22	30	33
	min	13.3	17.3	21.16	29.16	32
d _k	Nominal Size	19	24	30	38	42
	max	19.65	24.65	30.65	38.8	42.8
	min	18.35	23.35	29.35	37.2	41.2
k ₁	Nominal Size	5	7	8	10	12
	max	5.375	7.45	8.45	10.45	12.55
	min	4.625	6.55	7.55	9.55	11.45
k	Nominal Size	6	8	10	12.5	14
	max	6.6	8.75	10.75	13.4	14.9
	min	5.4	7.25	9.25	11.6	13.1

s	Nominal Size	10	12	16	20	22
	max	10.58	12.7	16.7	20.84	22.84
	min	9.42	11.3	15.3	19.16	21.16